

- Shaft uses material SUJ2:through vacuum heat treatment, it is even more durable, hardness is as high as (HRC60°±2°) and satisfied wear-resistance.
- Front end is constituted by SKF angular contact ball bearing & thrust ball bearing. middle & rear ends are comprised of needle roller bearing assembly.
- These centers are suitable for NC lathe at high-speed & heavy-load operation, water-proof.

Unit:mm

| ORDER NO. | A  | B  | C   | D  | D1 | b | L   | d1 | Accuracy | Speed Max. R.P.M. | θ   | G.W. weight kgs | PACKING LxWxH  | CODE NO. |
|-----------|----|----|-----|----|----|---|-----|----|----------|-------------------|-----|-----------------|----------------|----------|
| VCP-MT4   | 35 | 60 | 108 | 68 | 32 | - | 203 | -  | 0.005    | 4500              | 60° | 3               | 253 x 130 x 80 | 5001-060 |
| VCP-MT5   | 37 | 70 | 136 | 87 | 40 | - | 243 | -  | 0.005    | 3000              | 60° | 5.5             | 275 x 147 x 97 | 5001-061 |



## High Speed Live Center



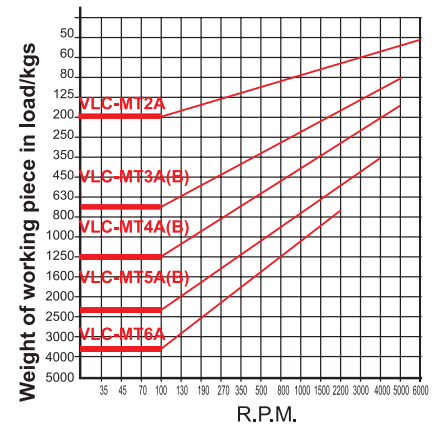
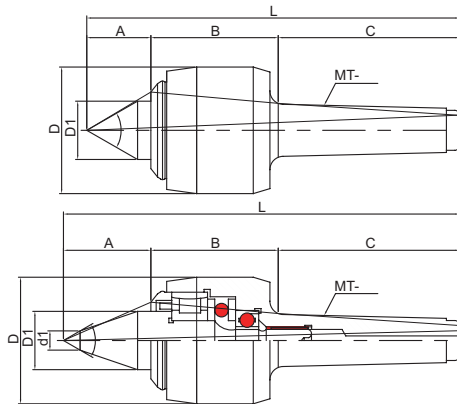
### EURO STYLE



A TYPE



B TYPE



- Suit for to CNC lathes, can be used at high speed turning and with waterproof design.
  - The shaft is made of alloy steel and through vacuum heat treatment HRC 60°±2°. It has high rigidity and high durability.
  - The center uses the combination of roller bearing, thrust ball bearing and ball bearing.
- ※ B Type is applicable in the metal workings on small workpieces.

Unit:mm

| ORDER NO. | TYPE | A  | B  | C   | D  | D1 | L   | D1 | Accuracy | Speed Max. R.P.M | θ   | G.W. weight | PACKING L x W x H | CODE NO. |
|-----------|------|----|----|-----|----|----|-----|----|----------|------------------|-----|-------------|-------------------|----------|
| VLC-512   | MT2A | 20 | 38 | 69  | 32 | 13 | 127 | -  | 0.003    | 6000             | 60° | 0.8         | 240x70x61         | 5001-062 |
| VLC-513   | MT3A | 34 | 61 | 86  | 58 | 25 | 181 | -  | 0.003    | 5200             | 60° | 1.8         | 253x92x80         | 5001-063 |
| VLC-514   | MT4A | 44 | 72 | 109 | 76 | 35 | 225 | -  | 0.003    | 5000             | 60° | 3.2         | 290x92x80         | 5001-064 |
| VLC-515   | MT5A | 60 | 91 | 136 | 95 | 45 | 287 | -  | 0.003    | 3500             | 60° | 5.6         | 303x108x101       | 5001-065 |
| VLC-513B  | MT3B | 45 | 61 | 86  | 58 | 25 | 192 | 10 | 0.003    | 5200             | 60° | 1.8         | 290x92x80         | 5001-067 |
| VLC-514B  | MT4B | 55 | 72 | 109 | 76 | 35 | 236 | 12 | 0.003    | 5000             | 60° | 3.2         | 253x92x80         | 5001-068 |
| VLC-515B  | MT5B | 70 | 91 | 136 | 95 | 45 | 297 | 14 | 0.003    | 3500             | 60° | 6.0         | 303x108x101       | 5001-069 |