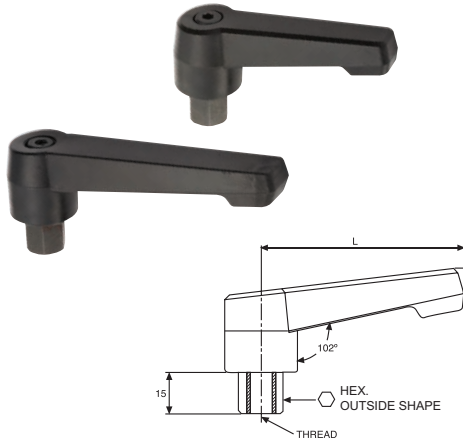


# Adjustable Hand Levers

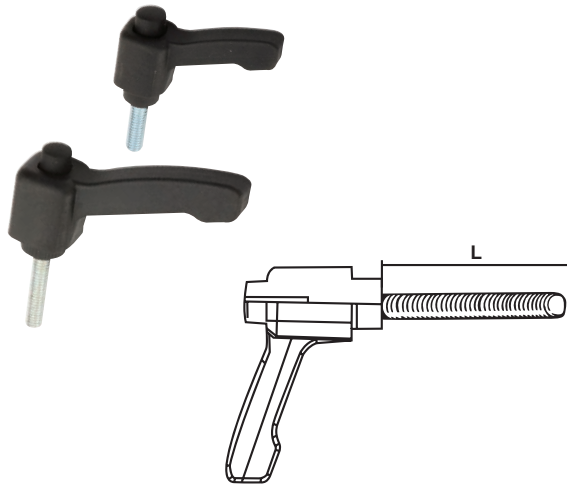


Name	Material	Surfaced process
Handle	Plastic (KT)	Black (BK) and black handle (OB)
Spindle	Steel (ST)	

mm

ORDER NO. (KT)	HANDLE L	THREAD	Hexagon	CODE NO.
VAH-6	42	M6	14	7003-214A
VAH-8	72	M8	14	7003-216A
VAH-10	92	M10	16	7003-217A
VAH-12	112	M12	16	7003-218A

# Adjustable Hand Levers

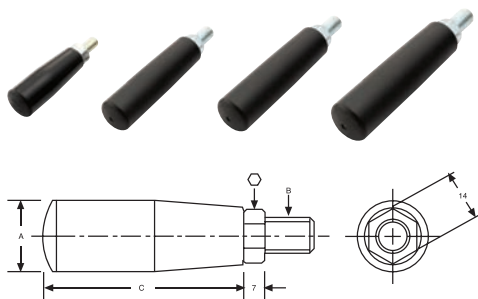


Name	Material	Surfaced process
Handle	(KT)	Black Knob
Spindle	Steel (ST)	

mm

ORDER NO. (KT)	THREAD L	HANDLE L	CODE NO.
VAH-620	M6x1.0Px20L	43	7003-220A
VAH-630	M6x1.0Px30L	43	7003-220B
VAH-640	M6x1.0Px45L	43	7003-220C
VAH-650	M6x1.0Px20L	63	7003-220D
VAH-6XL	M6x1.0Px30L	63	7003-220E
VAH-8D	M8x1.25Px30L	63	7003-222A
VAH-815	M8x1.25Px15L	83	7003-222B
VAH-840	M8x1.25Px40L	83	7003-222D
VAH-1020	M10x1.5Px20L	83	7003-223A

# Revolving Handles

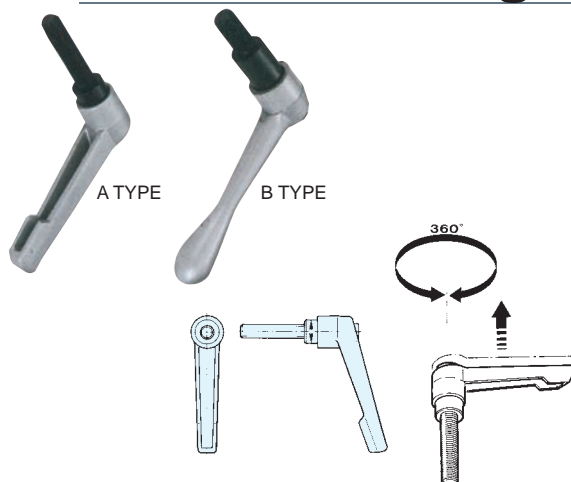


Name	Material	Surfaced process
Handle	Bakelite (KU)	Black
Spindle	Steel (ST)	Zincing (ZI)

mm

ORDER NO.	A	B	C	THREAD L	Hexagon	CODE NO.
VRL-8H	20	M8x1.25P	56	13	14	7003-283A
VRL-8HA	22	M8x1.25P	76	13	14	7003-284A
VRL-10H	20	M10x1.5P	56	13	14	7003-285A
VRL-10HA	22	M10x1.5P	76	13	14	7003-287A
VRL-10HB	25	M10x1.5P	83	13	14	7003-288A

# 360° Swivelling Lock Handle



## 360° Swivel Handle

- When pull out, this handle can swivel 360° free.
- Aluminium handle, all water resistance.
- The handle shape features: curve, ball, square 3 types.

ORDER NO.	SIZE	CODE NO.
VSA-1	M6 x 1.0P x 30L	7003-300A
VSA-2	M8 x 1.25P x 30L	7003-301A
VSA-3	M10 x 1.5P x 30L	7003-302A
VSA-4	M12 x 1.75P x 30L	7003-302B
VSB-1	M6 x 1.0P x 30L	7003-303A
VSB-2	M8 x 1.25P x 30L	7003-304A
VSB-3	M10 x 1.5P x 30L	7003-305A
VSB-4	M12 x 1.75P x 30L	7003-305B