

Surface and thickness planer minimax fs 30c TERSA

With TERSA planer blade quick change system



Article number ▼

5503031

Brand ▼

Holzkraft

Availability ▼

In stock
Immediate delivery

Catalog directory ▼

Woodworking machinery » Planers »
Surface and thickness planers » Surface
and thickness planer minimax fs c

Purchase ▼

Minimum 1 pc(s).




Delivery content ▼

- TERSA planer knife
- Anodized aluminum dressing stop

Shipping informations ▼

Packaging Metrics		Weights		Delivery		Other	
Length	1,600 mm	Gross	270 kg	Delivery	Carrier	DualUse	✘
Width	650 mm	Net	251 kg	Content	1 pc(s).	SCIP	n/a
Height	1,150 mm					SVHC	No

Root data ▼

Country of origin	EAN	Custom number	Quantity unit
 Italy	4036351000020	84659200	pc(s).



MADE IN ITALY

Description ▼

- With TERSA knife shaft for a quick turn of planer blades
- TERSA planer blade system enables particularly quiet running
- Slant-toothed steel pick-up roller for constant and even logging
- The extra-long one-piece dressing tables allow easy dressing of the workpieces
- Large dressing stop can remain in its position when opening the dressing tables
- Rear-opening dressers
- The high machine weight ensures highest precision and smooth running
- Powerful industrial engine
- Robust steel / cast iron construction
- Worktables made of cast iron, re-annealed and stress-free, thus insensitive and durable plan
- Table lips for quiet running

Room amenities

TERSA planer shaft

- No adjustment and more screws
- Planer blade change in seconds
- Self-locking
- Especially low noise
- Perfect planing result

Suction hose connector

- The extraction nozzles of the tiller and thickness point in the same direction.
- The hose connection is made from only one side
- No hose is needed around the machine

Drive

- Stable chain drive
- Drive wheels made of steel
- Massive gray cast iron bearing block

Planing mill

- Massive kickback devices prevent the kickback of workpieces
- TERSA planer shaft with three knives ensures an optimal planer image

The material feeder

- Helical steel pick rollers for a constant and even feed of material without marks
- Several teeth simultaneously grip for powerful feed
- Wear-free unlike rubber feed rollers

Significant Features ▼



Very quiet

- Particularly low-noise TERSA planer cutterhead

Media informations





Drive

- Stable designed chain drive
- Steel drive wheels
- Solid cast iron bearing pedestal



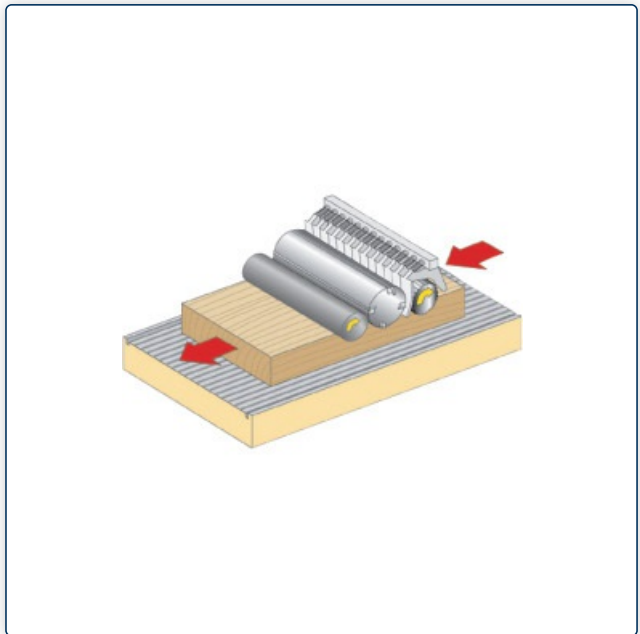
Planing mill

- Massive kickback guards prevent the kickback of workpieces
- 3-knife TERSA shaft ensures an optimal planing pattern



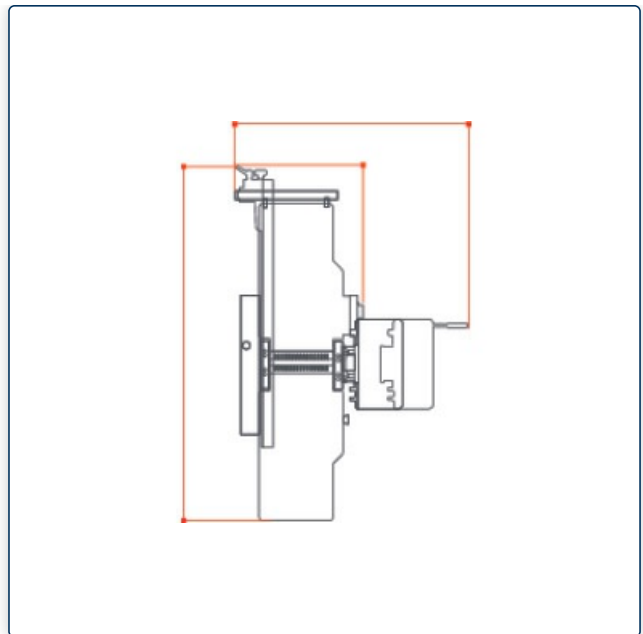
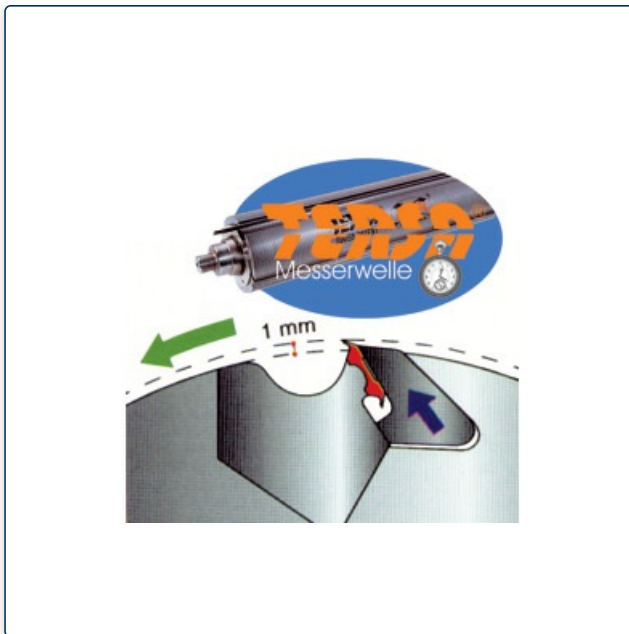
Suction hose connection

- The suction ports of the dresser and thickness point in the same direction
- The hose connection is from the same side
- There is no need for a hose that goes around the machine



Material feed

- Helical toothed steel feed rollers for constant and uniform material feed without impressions
- Multiple teeth grip simultaneously for powerful feed
- Wear-free in contrast to rubber feed rolls



TERSA planer cutterhead

- Optimal planing pattern
- Planing knife change in seconds
- Self-locking
- No more adjusting and screwing
- Particularly quiet running

Technical data ▼

Dimensions and weights			
Length (product) approx.	1725 mm	Width/depth (product) approx.	880 mm
Net weight approx.	270 kg		
Joining			
Total length of table	1500 mm	Working height	900 mm
Max. cutting depth of joints	4 mm		
Extraction port			
Extraction port diameter thickness	2 x 120 mm		
Footprint			
Space requirement length	1725 mm	Space requirement width/depth	1350 mm
Space requirement explanation	The dimensions take into account maximum travel distances or useful lengths.	Machine body length	659 mm
Machine body width/length	488 mm	Work area length	1000 mm
Work area width/depth	3500 mm	Explanation about work area	Please add the given dimensions with the required space to obtain the free space recommended for the machine.
Thickness			
Thicknessing table length	565 mm	Thicknessing table width	300 mm
Working height min. thickness	3 mm	Working height max. thickness	230 mm
Max. cutting depth thickness	4 mm		
Electrical Data			
Drive motor output	4 kW	Supply voltage	400 V

Mains frequency	50 Hz		
Planing knife shaft			
Planing shaft type	TERSA	Planing shaft diameter	72 mm
Number of planing blades	3 St	Planing shaft speed	5200 min ⁻¹
Max. planing width	300 mm		
Feed			
Feed speed	7 m/min		

Accessories ▼



Reversible planer knife Tersa 300 x 10 x 2.3 mm chrome (3 pieces)

Quality at reasonable prices

Article number ▼

5270300

Availability ▼

In stock
Immediate delivery

Purchase ▼

Minimum 1 Set (3 pc(s).)

Price informations ▼



Reversible planer knife Tersa 300 x 10 x 2.3 mm M+ HSS (3 pieces)

Quality at reasonable prices

Article number ▼

5271301

Availability ▼

In stock
Immediate delivery

Purchase ▼

Minimum 1 Set (3 pc(s).)

Price informations ▼



Slot mortising equipment LLBE FS CLASSIC

Article number ▼

5510330

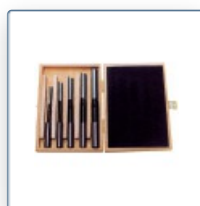
Availability ▼

In stock
Immediate delivery

Purchase ▼

Minimum 1 pc(s).

Price informations ▼



Long hole drill set 5-part, left-handed

Article number ▼

5333681

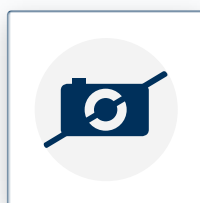
Availability ▼

In stock
Immediate delivery

Purchase ▼

Minimum 1 pc(s).

Price informations ▼



Replacement blade for spiral knife shaft 15 x 15 x 2.5 mm

Article number ▼

5514127

Availability ▼

In stock
Immediate delivery

Purchase ▼

Minimum 1 PU (10 pc(s).)

Price informations ▼





Trolley for accessories

minimax ease

For the storage of a variety of accessories such as: Dressing fence, telescopic ruler, milling fence, milling unit, etc.

Article number ▼

5510010

Availability ▼

No stock available
Information:
Next availability
Unknown

Purchase ▼

Minimum 1 pc(s).

Price informations ▼



Options equipment ▼



Spiral blade shaft

SMW 300 classic

Article number ▼

5510332

Availability ▼

No stock available
Information:
Next availability
Unknown

Purchase ▼

Minimum 1 pc(s).

Price informations ▼



Prices on this data sheet are recommended retail prices, subject to change, in €, plus VAT at the statutory rate, plus packaging, shipping, transport, unloading, assembly and, if applicable, instruction costs. Sales prices of the dealers can deviate. No liability is accepted for printing errors, mistakes or incorrect presentation. Technical and optical changes are reserved. Illustration partly with optional accessories.