

Radial arm saw

RAS 90

For cutting and peeling floorboards



Article number ▼

5650090

Brand ▼

Holzkraft

Availability ▼

No stock available

Information:

Next availability

Expected on calendar week 51/2023



Catalog directory ▼

Woodworking machinery » Special wood
saws » Radial arm saws » Radial arm saw
RAS

Purchase ▼

Minimum 1 pc(s).


Delivery content ▼

- Widia saw blade Ø 400 x 3.8 x 30 mm Z60

Shipping informations ▼

Packaging Metrics		Weights		Delivery		Other	
Length	1,700 mm	Gross	368 kg	Delivery	Carrier	DualUse	✘
Width	1,250 mm	Net	298 kg	Content	1 pc(s).	SCIP	n/a
Height	1,190 mm					SVHC	No

Root data ▼

Country of origin	EAN	Custom number	Quantity unit
 Italy	4036351338697	84659120	pc(s).

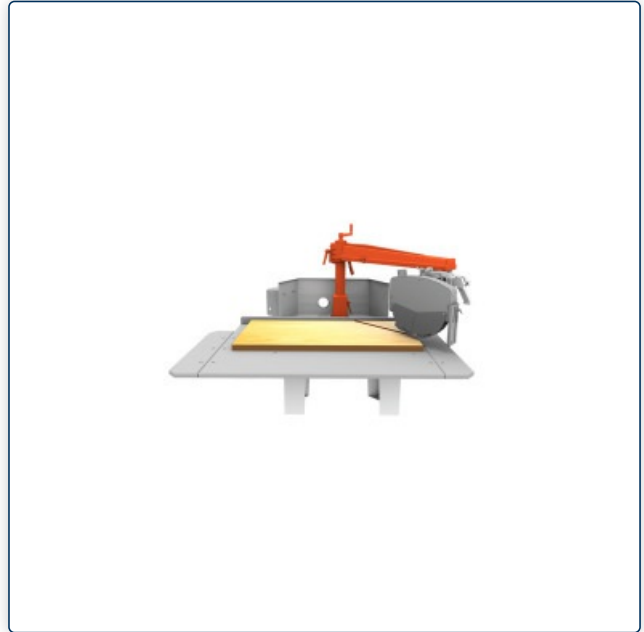


Quality -
Made in Europe

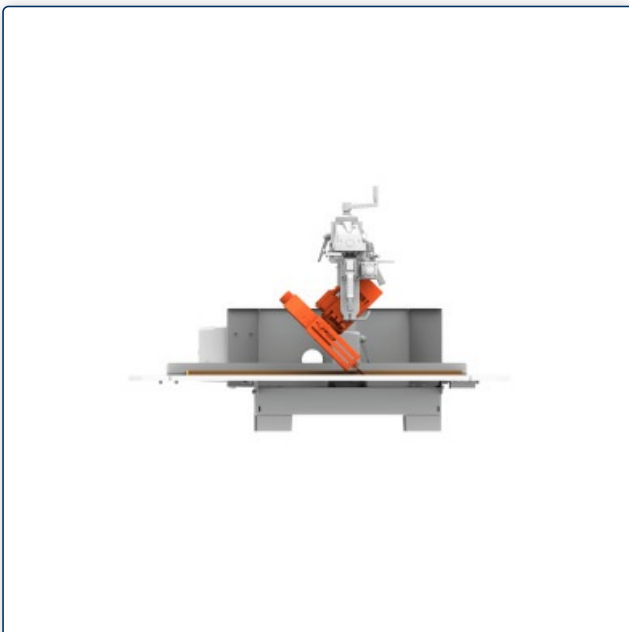
Description ▼

- For large cutting lengths e.g. in kitchen construction or for floorboards
- Small footprint and versatile
- Quick changeover between double miter cuts or cutting to length
- Robust cast iron swivel arm with replaceable square guides
- Movable saw unit with return spring
- Saw unit can be swivelled 45 degrees on one side
- Motor with mechanical brake
- Roller conveyor for both sides and cutting line laser available as accessories

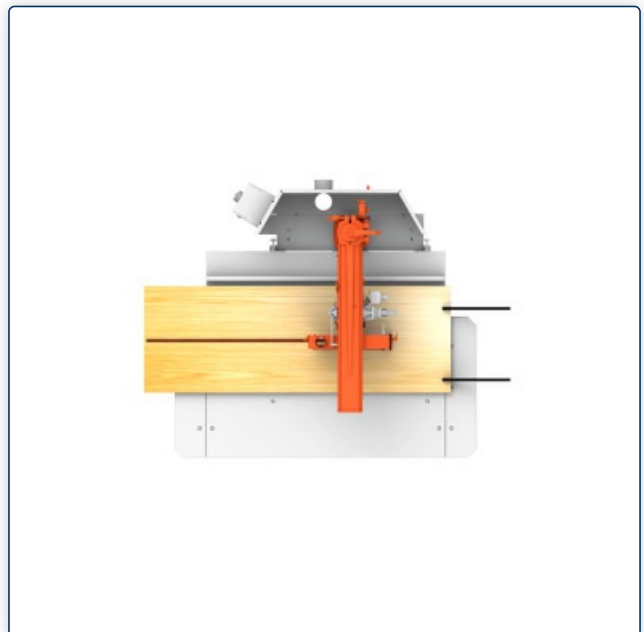
Media informations



- Arm swivels 45° left and right
- Robust cast iron swivel arm with exchangeable square guides



- Saw unit swivels 45° to the left



- Saw head can be rotated by 90° for longitudinal cuts

Technical data ▼

Dimensions and weights			
Length (product) approx.	1970 mm	Width/depth (product) approx.	1740 mm
Height (product) approx.	1720 mm	Net weight approx.	298 kg
Extraction port			
Saw blade protection extraction port diameter	60 mm		
Electrical Data			
Supply voltage	400 V	Mains frequency	50 Hz
Drive motor output	3 kW		
Sliding carriage and table			
Table length	1970 mm	Table width	1285 mm
Noise emission			
Sound pressure level	< 92 dB(A)	Sound power level	< 88 dB(A)
Circular saw unit			
Saw blade angle	-45 °	Swivel angle saw arm	-45 – 45 °
Max. cutting height 45°	350 x 125 mm	Max. cutting height -45°	565 x 125 mm
Max. cross section	865 x 20 mm	Max. cutting height 0°/45°	125/80 mm
(Main) saw blade diameter	400 mm	Diameter saw blade bore	30 mm
(Main) saw blade speed	2800 min ⁻¹		

Accessories ▼



Cutting line laser with attachment kit



Article number ▼
5660000

Availability ▼
No stock available
Information:
Next availability
Unknown

Purchase ▼
Minimum 1 pc(s).

Price informations ▼



Roller conveyor 1500 x 500 mm



Article number ▼
5660005

Availability ▼
No stock available
Information:
Next availability
Unknown

Purchase ▼
Minimum 1 pc(s).

Price informations ▼

Prices on this data sheet are recommended retail prices, subject to change, in €, plus VAT at the statutory rate, plus packaging, shipping, transport, unloading, assembly and, if applicable, instruction costs. Sales prices of the dealers can deviate. No liability is accepted for printing errors, mistakes or incorrect presentation. Technical and optical changes are reserved. Illustration partly with optional accessories.