

Universal grinding machine OPTIgrind GU 20S (400V)

OPTIMUM[®]
MASCHINEN - GERMANY

Functional with abrasive attachment

Article number ▼

3101575

Brand ▼

Optimum

Availability ▼

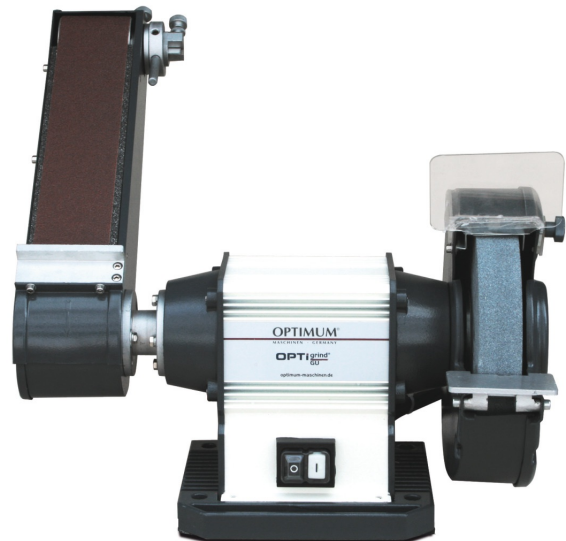
In stock
Immediate delivery

Catalog directory ▼

Metalworking machines » Grinding and polishing machines for metal » Universal grinding machines with grinding attachment

Purchase ▼

Minimum 1 pc(s).




Delivery content ▼

- Grinding wheel normal corundum fine K80
- Sanding belt normal corundum fine K80

Shipping informations ▼

Packaging Metrics		Weights		Delivery		Other	
Length	665 mm	Gross	24 kg	Delivery	Carrier	DualUse	✘
Width	577 mm	Net	20.7 kg	Content	1 pc(s).	SCIP	n/a
Height	382 mm					SVHC	No

Root data ▼

Country of origin	EAN	Custom number	Quantity unit
 China	4030635028885	84602990	pc(s).



Description ▼

- Robust and stable universal grinding machines with abrasive belt and grinding wheel for a wide range of materials
- Heavy, durable industrial design with maintenance-free motor
- Housing made of extruded aluminum
- Large, heavy mounting flanges and thus high disc concentricity
- Sanding attachment with graphite coating; prevents friction and heat
- Stop allows quick and easy sanding of workpieces
- Tape adjustment without tools - only adjustable with a handle screw
- Universal corundum grinding wheel and sanding belt in the standard scope of delivery

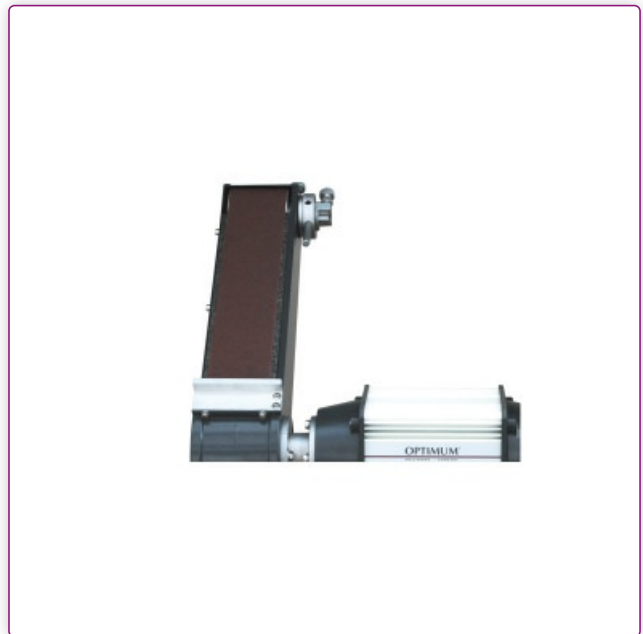
Workpiece support

- Stable
- Adjustable

Media informations ▼



Figure shows GU 20S



Sanding belt

- Grinding attachment can be adjusted via the flange in a swivel range of 0°-90





Grinding wheel

- Stable workpiece support surface
- Adjustable spark protection

Technical data ▼

Dimensions and weights			
Length (product) approx.	501 mm	Width/depth (product) approx.	261 mm
Height (product) approx.	459 mm	Net weight approx.	20,7 kg
Electrical Data			
Drive motor output	0,6 kW	Supply voltage	400 V
Mains frequency	50 Hz		
Grinding wheel(s)			
Grinding disc external diameter	200 mm	Grinding disc width	30 mm
Grinding disc drill hole	32 mm	Speed	2850 min ⁻¹
Sanding attachment			
Grinding belt length	762 mm	Grinding belt width	75 mm
Grinding attachment swivel range	90 °	Extraction duct nominal width	32 mm
Grinding support length	180 mm	Grinding support width	87 mm

Accessories ▼

	<p>Substructure GU 3</p> <p>Article number ▼ 3107118</p> <p>Availability ▼ In stock Immediate delivery</p> <p>Purchase ▼ Minimum 1 pc(s).</p> <p>Price informations ▼</p>	
---	---	---



Wall bracket for OPTIgrind QSM 150 to SM 250

OPTIMUM[®]
MASCHINEN - GERMANY

Article number ▼ 3107050
Availability ▼ In stock
Immediate delivery
Purchase ▼ Minimum 1 pc(s).

Price informations ▼



Machine substructure with extraction GU 1 (400 V)

OPTIMUM[®]
MASCHINEN - GERMANY

Integrated cyclone extraction with automatic switch
Article number ▼ 3107109
Availability ▼ In stock
Immediate delivery
Purchase ▼ Minimum 1 pc(s).

Price informations ▼



Fabric grinding belt non-ferrous metals, stainless steel, mild steel 75 x 762 mm K40

metalkraft[®]
Metallbearbeitungsmaschinen

Article number ▼ 3357612
Availability ▼ In stock
Immediate delivery
Purchase ▼ Minimum 1 PU (5 pc(s).)

Price informations ▼



Fabric grinding belt non-ferrous metals, stainless steel, mild steel 75 x 762 mm P60

metalkraft[®]
Metallbearbeitungsmaschinen

Article number ▼ 3357614
Availability ▼ In stock
Immediate delivery
Purchase ▼ Minimum 1 PU (5 pc(s).)

Price informations ▼



Fabric grinding belt non-ferrous metals, stainless steel, mild steel 75 x 762 mm P80

metalkraft[®]
Metallbearbeitungsmaschinen

Article number ▼ 3357616
Availability ▼ In stock
Immediate delivery
Purchase ▼ Minimum 1 PU (5 pc(s).)

Price informations ▼



Fabric grinding belt non-ferrous metals, stainless steel, mild steel 75 x 762 mm P120

metalkraft[®]
Metallbearbeitungsmaschinen

Article number ▼ 3357618
Availability ▼ In stock
Immediate delivery
Purchase ▼ Minimum 1 PU (5 pc(s).)

Price informations ▼



**Fabric grinding belt non-ferrous metals,
stainless steel, mild steel**
75 x 762 mm P180



Article number ▼
3357619

Availability ▼
In stock
Immediate delivery

Purchase ▼
Minimum 1 PU (5
pc(s).)

Price informations ▼



**Fabric grinding belt non-ferrous metals,
stainless steel, mild steel**
75 x 762 mm P240



Article number ▼
3357620

Availability ▼
In stock
Immediate delivery

Purchase ▼
Minimum 1 PU (5
pc(s).)

Price informations ▼



Normal corundum grinding wheel
Ø 200 x 30 Ø 32 mm, K36



Article number ▼
3107210

Availability ▼
In stock
Immediate delivery

Purchase ▼
Minimum 1 pc(s).

Price informations ▼



Normal corundum grinding wheel
Ø 200 x 30 Ø 32 mm, K80



Article number ▼
3107215

Availability ▼
In stock
Immediate delivery

Purchase ▼
Minimum 1 pc(s).

Price informations ▼

Options equipment ▼



Vario conversion with machine base
GU 1 - 1.5 kW



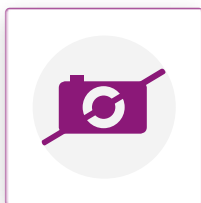
With cyclone suction. Enables the speed of the grinder to be infinitely variable

Article number ▼
3491530

Availability ▼
In-house production
- available at short
notice

Purchase ▼
Minimum 1 pc(s).

Price informations ▼



Vario conversion
0.75 kW, with machine base GZ without
extraction



Enables the speed of the grinder to be controlled steplessly

Article number ▼
3491513

Availability ▼
Delivery time on
request

Purchase ▼
Minimum 1 pc(s).

Price informations ▼

Prices on this data sheet are recommended retail prices, subject to change, in €, plus VAT at the statutory rate, plus packaging, shipping, transport, unloading, assembly and, if applicable, instruction costs. Sales prices of the dealers can deviate. No liability is accepted for printing errors, mistakes or incorrect presentation. Technical and optical changes are reserved. Illustration partly with optional accessories.