

## Radial drill

### OPTIdrill RD 4

Precision-working, solid radial drilling machines in top quality. Ideal for variable use in single part and series production.

**OPTIMUM**<sup>®</sup>  
MASCHINEN - GERMANY

#### Article number ▼

3049040

#### Brand ▼

Optimum

#### Availability ▼

No stock available

Information:

Next availability

Expected on calendar week 48/2023

#### Catalog directory ▼

Metalworking machines » Drilling machines

» Radial drilling machines » OPTIdrill RD

#### Purchase ▼

Minimum 1 pc(s).




#### Delivery content ▼

- worktable

#### Shipping informations ▼

Packaging Metrics		Weights		Delivery		Other	
Length	1,630 mm	Gross	1,300 kg	Delivery	Carrier	DualUse	✘
Width	810 mm	Net	1,150 kg	Content	1 pc(s).	SCIP	n/a
Height	2,160 mm					SVHC	No

#### Root data ▼

Country of origin	EAN	Custom number	Quantity unit
 Taiwan	4030635033377	84592900	pc(s).



#### Description ▼

- Versatile application, such as Drilling, rubbing, tapping
- Electrically braked engine
- 24V DC electrics and 2-channel safety chain according to DIN EN 12717
- Heavy, massive, high quality quality casting
- Wide reach through horizontally adjustable machine head
- Clearly arranged control panel
- Smooth-running swivel and travel axes
- Elaborately machined column pivoting with optimized clamping for maximum stability with minimum clamping offset
- Robust, rigid construction of the boom
- Height adjustment of the boom via powerful motor drive and lifting spindle
- In oil bath running gear of the drill head
- Boom guideways hardened and precision ground
- Geared gears made of chrome-nickel-steel, hardened and precision ground, thus quiet and smooth running
- Drilling head and column can be clamped or loosened together or separately
- Forward and reverse running
- Massive, exact drill table, large dimensions
- Hardened and ground worktable with parallel T-slots
- machine light
- Overload protection
- Thick-walled cast-iron column ensures smooth running and stability
- led lamp
- Coolant device with coolant tank in the machine foot

#### RD 4 / RD 5

- All axes are clamped manually

#### Media informations



**DC control cabinet**

- All contactors and relays from Siemens and Schneider
- Complete and clear



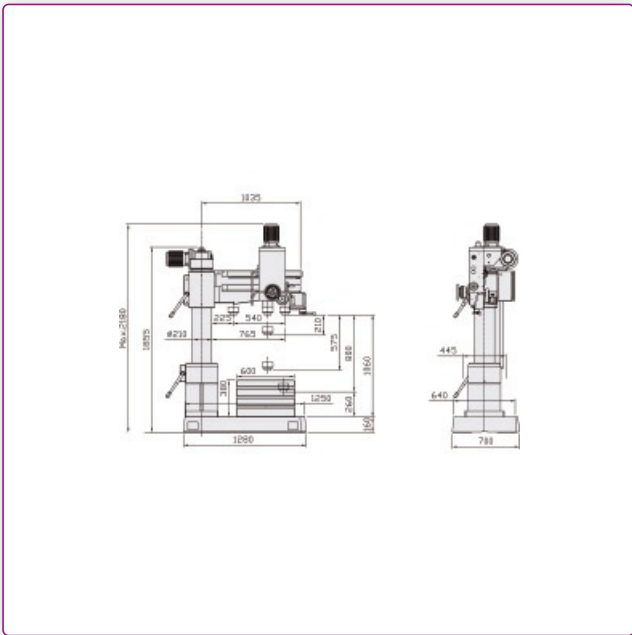
**Extendable safety switch**

- Compliant with DIN 12717



**Column pivoting**

- Elaborately crafted column swivel with optimized clamping for maximum stability with minimal clamping offset



**Technical data** ▼

Dimensions and weights			
Column diameter	210 mm	Length (product) approx.	1260 mm
Width/depth (product) approx.	700 mm	Height (product) approx.	2180 mm
Net weight approx.	1120 kg		
Boom			
Boom angle of rotation	± 180 °		
Drilling performance			
Drilling performance steel (S235JR)	32 mm	Continuous drilling performance steel (S235JR)	28 mm
Drilling table			

Drilling table T-groove size	19 mm	Drilling table T-groove number	3
Drilling table T-groove spacing	171 mm	Max. distance spindle - drilling table	1060 mm
Clamping table length	600 mm	Clamping table width	445 mm
Clamping table height	380 mm	Cube table T-groove size	19 mm
Cube table T-groove number	3	Cube table T-groove spacing	100 mm
Min. distance spindle to clamping table	0 mm	Max. distance spindle to clamping table	675 mm
Min. distance spindle - drilling table	260 mm		
<b>Speed range</b>			
Speed range	73 – 1247 min <sup>-1</sup>	Number of gears	6
<b>Electrical Data</b>			
Total rated value	3 kW	Supply voltage	400 V
Mains frequency	50 Hz		
<b>Machine base</b>			
Machine base workspace length	828 mm	Machine base workspace width	522 mm
Machine base T-groove size	19 mm	Machine base T-groove number	3
Machine base T-groove spacing	100 mm	Machine base length	1260 mm
Machine base width	700 mm		
<b>Spindle</b>			
Quill stroke	210 mm	Spindle chuck	MT4
Quill feed speed	0.05 – 0.15 mm/rev	Quill feed gears	3
<b>Travel</b>			
Travel X axis manual	530 mm	Travel Z axis manual	580 mm
Max. distance spindle - column	750 mm	Min. distance spindle - column	220 mm
<b>Motor(s)</b>			
Spindle motor drive output	1,5 kW	Boom lift motor drive output	0,75 kW
Coolant pump drive motor output	90 W		

## Accessories ▼



### Precision quick-action drill chuck 1-10 mm, B16

**OPTIMUM**<sup>®</sup>  
MASCHINEN - GERMANY

**Article number** ▼  
3050610

**Availability** ▼  
In stock  
Immediate delivery

**Purchase** ▼  
Minimum 10 pc(s).

**Price informations** ▼



### Keyless drill chuck DKC13 0-13 mm

**OPTIMUM**<sup>®</sup>  
MASCHINEN - GERMANY

**Article number** ▼  
3050632

**Availability** ▼  
In stock  
Immediate delivery

**Purchase** ▼  
Minimum 1 pc(s).

**Price informations** ▼



### Keyless drill chuck DKC16 0-16 mm

Article number ▼  
3050633

Availability ▼  
In stock  
Immediate delivery

Purchase ▼  
Minimum 1 pc(s).

Price informations ▼

**OPTIMUM**<sup>®</sup>  
MASCHINEN - GERMANY



### OPTIMUM direct quick-action drill chuck MK 4 1 - 16 mm; up to 6000 min<sup>-1</sup>

Article number ▼  
3050574

Availability ▼  
In stock  
Immediate delivery

Purchase ▼  
Minimum 10 pc(s).

Price informations ▼

**OPTIMUM**<sup>®</sup>  
MASCHINEN - GERMANY



### Morse taper MK4-B16

Article number ▼  
3050661

Availability ▼  
In stock  
Immediate delivery

Purchase ▼  
Minimum 1 pc(s).

Price informations ▼

**OPTIMUM**<sup>®</sup>  
MASCHINEN - GERMANY



### Reducing sleeve MK4-MK3

Article number ▼  
3050664

Availability ▼  
In stock  
Immediate delivery

Purchase ▼  
Minimum 1 pc(s).

Price informations ▼

**OPTIMUM**<sup>®</sup>  
MASCHINEN - GERMANY



### Twist drill HSS with Morse taper MT 3

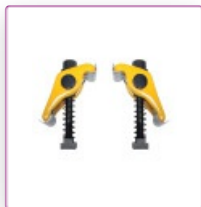
Article number ▼  
3051003

Availability ▼  
In stock  
Immediate delivery

Purchase ▼  
Minimum 1 pc(s).

Price informations ▼

**OPTIMUM**<sup>®</sup>  
MASCHINEN - GERMANY



### Down device Table groove 18 mm / M 16

Article number ▼  
3352032

Availability ▼  
In stock  
Immediate delivery

Purchase ▼  
Minimum 1 pc(s).

Price informations ▼

**OPTIMUM**<sup>®</sup>  
MASCHINEN - GERMANY



### Clamping tool kit SPW 16

**OPTIMUM**<sup>®</sup>  
MASCHINEN - GERMANY

**Article number** ▼  
3352019

**Availability** ▼  
No stock available  
Information:  
Next availability  
Unknown

**Purchase** ▼  
Minimum 1 pc(s).

**Price informations** ▼  
Revoked article



### Clamping table 600 x 445 x 380 mm

**OPTIMUM**<sup>®</sup>  
MASCHINEN - GERMANY

**Article number** ▼  
3049204

**Availability** ▼  
No stock available  
Information:  
Next availability  
Unknown

**Purchase** ▼  
Minimum 1 pc(s).

**Price informations** ▼



### Angle table S

**OPTIMUM**<sup>®</sup>  
MASCHINEN - GERMANY

**Article number** ▼  
3049210

**Availability** ▼  
No stock available  
Information:  
Next availability  
Unknown

**Purchase** ▼  
Minimum 1 pc(s).

**Price informations** ▼



### Angle table L

**OPTIMUM**<sup>®</sup>  
MASCHINEN - GERMANY

**Article number** ▼  
3049212

**Availability** ▼  
No stock available  
Information:  
Next availability  
Unknown

**Purchase** ▼  
Minimum 1 pc(s).

**Price informations** ▼

Prices on this data sheet are recommended retail prices, subject to change, in €, plus VAT at the statutory rate, plus packaging, shipping, transport, unloading, assembly and, if applicable, instruction costs. Sales prices of the dealers can deviate. No liability is accepted for printing errors, mistakes or incorrect presentation. Technical and optical changes are reserved. Illustration partly with optional accessories.