

Metal band saw

OPTIsaw S 210G

Metal band saw with swivel saw bow and two saw blade speeds



Article number ▼

3300210

Brand ▼

Optimum

Availability ▼

In stock
Immediate delivery

Catalog directory ▼

Metalworking machines » Metal band saws
» Swing frame metal band saws » OPTIsaw S 210G

Purchase ▼

Minimum 1 pc(s).




Delivery content ▼

- material stop
- Bi-metal saw band
- substructure
- Coolant pump

Shipping informations ▼

Packaging Metrics		Weights		Delivery		Other	
Length	1,300 mm	Gross	162 kg	Delivery	Carrier	DualUse	✘
Width	580 mm	Net	152 kg	Content	1 pc(s).	SCIP	n/a
Height	880 mm					SVHC	No

Root data ▼

Country of origin	EAN	Custom number	Quantity unit
 Taiwan	4030635004407	84615019	pc(s).



Description ▼

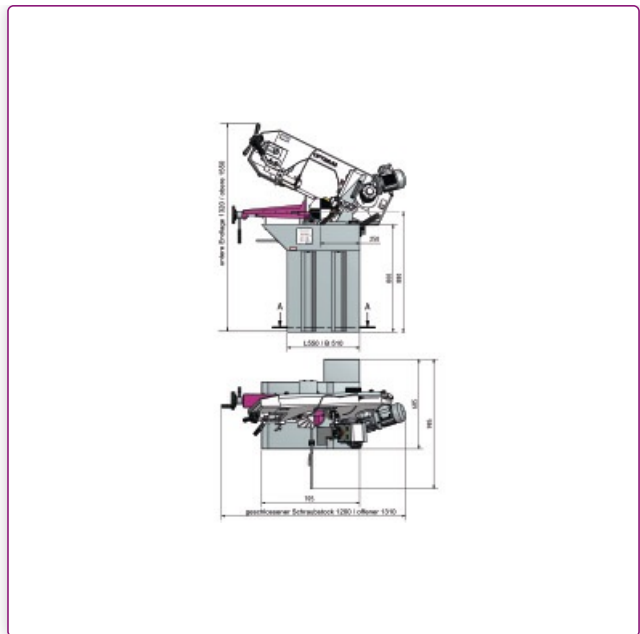
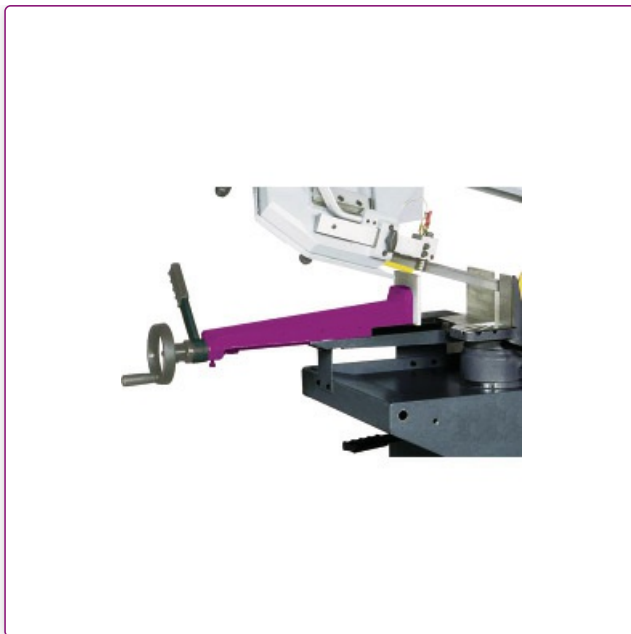
- Silent run
- Stable cast execution
- High cutting accuracy due to vibration-free running
- Two switchable speeds
- Lowering of the saw arm via hydraulic cylinder with throttle valve infinitely adjustable
- Micro switch for automatic limit switch
- Easy to read scale for angle adjustment
- Coolant system
- Robust machine base
- Ball bearing saw band guide
- Quick-action vice adjustable by handwheel. Clamping the workpiece with a handy quick release lever
- As standard with high-quality bi-metal saw band
- Adjustable material stop for serial work
- Fully equipped, allowing the user to be productive immediately after commissioning

Media informations ▼



Operating panel

- Clear and easy to use
- Speed selector switch
- Coolant pump



Quick clamp vice

- Adjustable via hand wheel
- Clamp the workpiece with handy quick clamp lever

Technical data ▼

Dimensions and weights			
Length open vise approx.	1310 mm	Length closed vise approx.	1200 mm
Width without material stop approx.	685 mm	Width with material stop approx.	985 mm
Height lower end position approx.	1320 mm	Height upper end position approx.	1550 mm
Net weight approx.	152 kg		
Electrical Data			
Drive motor output	0,75 kW	Supply voltage	400 V
Mains frequency	50 Hz	Engine power coolant pump	90 W
Machine data			
Saw band speed(s)	40 / 80 m/min	Saw band length	2080 mm
Saw band width	20 mm	Saw band thickness	0.9 mm
Cutting angle	0 – 45 °	Feed	infinitely variable
Lifting the saw bow	Manual		
Cutting ranges			
Cutting range 0° round (solid material)	170 mm	Cutting range 0° square (solid material)	140 mm
Cutting range 0° rectangular lying (solid material)	140 x 190 mm	Clamping range +45° round (full material)	125 mm
Cutting range +45° square (solid material)	125 mm	Cutting range +45° rectangular horizontal (solid material)	95 x 140 mm

Accessories ▼



Cutting and drilling emulsion AQUACUT C1

OPTIMUM[®]
MASCHINEN - GERMANY

Article number ▼
3530030

Availability ▼
Blocked article

Purchase ▼
Minimum 1 pc(s).

Price informations ▼
Revoked article



Saw band Bi-metal M 42 Sprint 2080 x 20 x 0.9 mm, 5 - 8 ZpZ, 0 °

OPTIMUM[®]
MASCHINEN - GERMANY

The profile professional for small and medium wall thicknesses

Article number ▼
3357503

Availability ▼
In stock
Immediate delivery

Purchase ▼
Minimum 1 pc(s).

Price informations ▼



Saw band HSS Bi-Metal M 42, 2080 x 20 x 0.9 mm, 5 - 8 ZpZ, 6 °

OPTIMUM[®]
MASCHINEN - GERMANY

Article number ▼
3357505

Availability ▼
In stock
Immediate delivery

Purchase ▼
Minimum 1 pc(s).

Price informations ▼



Saw band Bi-metal M 42 Sprint 2080 x 20 x 0.9 mm, 6 - 10 ZpZ, 0 °

OPTIMUM[®]
MASCHINEN - GERMANY

The profile professional for small and medium wall thicknesses

Article number ▼
3357514

Availability ▼
In stock
Immediate delivery

Purchase ▼
Minimum 1 pc(s).

Price informations ▼



Saw band Bi-metal M 42 Sprint 2080 x 20 x 0.9 mm, 10 - 14 ZpZ, 0 °

OPTIMUM[®]
MASCHINEN - GERMANY

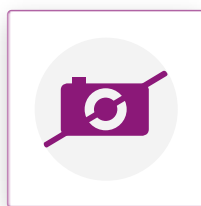
The profile professional for small and medium wall thicknesses

Article number ▼
3357515

Availability ▼
In stock
Immediate delivery

Purchase ▼
Minimum 1 pc(s).

Price informations ▼



Sawband set for metal band saw HSS 2,080 x 20 x 0.9 mm

OPTIMUM[®]
MASCHINEN - GERMANY

Article number ▼
3357502

Availability ▼
In stock
Immediate delivery

Purchase ▼
Minimum 1 pc(s).

Price informations ▼



Height-adjustable material stand

MSR 4

Height-adjustable material stands MSR as a manual aid for supporting and moving workpieces on metal saws. H version variably adjustable up to 1,050 mm

Article number ▼

3357610

Availability ▼

In stock
Immediate delivery

Purchase ▼

Minimum 1 pc(s).

Price informations ▼

OPTIMUM[®]
MASCHINEN - GERMANY



Carrying rollers for material stands

PVC rollers

Article number ▼

3357609

Availability ▼

In stock
Immediate delivery

Purchase ▼

Minimum 1 pc(s).

Price informations ▼

OPTIMUM[®]
MASCHINEN - GERMANY



Connection plate

For attachment to height-adjustable material stands

Article number ▼

3357005

Availability ▼

In stock
Immediate delivery

Purchase ▼

Minimum 1 pc(s).

Price informations ▼

OPTIMUM[®]
MASCHINEN - GERMANY



Table extension with alternating role

MSR 1

Article number ▼

3357006

Availability ▼

In stock
Immediate delivery

Purchase ▼

Minimum 1 pc(s).

Price informations ▼

OPTIMUM[®]
MASCHINEN - GERMANY



Length measuring system

LMS 10

Digital cutting and length measuring systems for attachment to material stand MSR. For the perfect length measurement and exact positioning

Article number ▼

3383851

Availability ▼

In stock
Immediate delivery

Purchase ▼

Minimum 1 pc(s).

Price informations ▼

OPTIMUM[®]
MASCHINEN - GERMANY



Length measuring system

LMS 20

Digital cutting and length measuring systems for attachment to material stand MSR. For the perfect length measurement and exact positioning

Article number ▼

3383852

Availability ▼

In stock
Immediate delivery

Purchase ▼

Minimum 1 pc(s).

Price informations ▼

OPTIMUM[®]
MASCHINEN - GERMANY



Height-adjustable material stand

MSR 7

Height-adjustable material stands MSR as a manual aid for supporting and moving workpieces on metal saws. H version variably adjustable up to 1,050 mm

Article number ▼

3357611

Availability ▼

In stock
Immediate delivery

Purchase ▼

Minimum 1 pc(s).

Price informations ▼

OPTIMUM[®]
MASCHINEN - GERMANY



Height-adjustable material stand

MSR 10

Height-adjustable material stands MSR as a manual aid for supporting and moving workpieces on metal saws. H version variably adjustable up to 1,050 mm

Article number ▼

3357613

Availability ▼

In stock
Immediate delivery

Purchase ▼

Minimum 1 pc(s).

Price informations ▼

OPTIMUM[®]
MASCHINEN - GERMANY



Length measuring system

LMS 30

Digital cutting and length measuring systems for attachment to material stand MSR. For the perfect length measurement and exact positioning

Article number ▼

3383853

Availability ▼

Delivery time on request

Purchase ▼

Minimum 1 pc(s).

Price informations ▼

OPTIMUM[®]
MASCHINEN - GERMANY



Length measuring system

LMS 40

Digital cutting and length measuring systems for attachment to material stand MSR. For the perfect length measurement and exact positioning

Article number ▼

3383854

Availability ▼

Delivery time on request

Purchase ▼

Minimum 1 pc(s).

Price informations ▼

OPTIMUM[®]
MASCHINEN - GERMANY



Cutting and length measuring system

LMS 1M (1,300 mm)

For mounting on MSR material stands. For perfect length measurement and exact positioning.

Article number ▼

3383841

Availability ▼

In stock
Immediate delivery

Purchase ▼

Minimum 1 pc(s).

Price informations ▼

OPTIMUM[®]
MASCHINEN - GERMANY



Cutting and length measuring system

LMS 2M (2,300 mm)

For mounting on MSR material stands. For perfect length measurement and exact positioning.

Article number ▼

3383842

Availability ▼

In stock
Immediate delivery

Purchase ▼

Minimum 1 pc(s).

Price informations ▼

OPTIMUM[®]
MASCHINEN - GERMANY



Leveling plate

SE 1

Article number ▼

3381012

Availability ▼

In stock
Immediate delivery

Purchase ▼

Minimum 20 pc(s).

Price informations ▼

OPTIMUM[®]
MASCHINEN - GERMANY

Prices on this data sheet are recommended retail prices, subject to change, in €, plus VAT at the statutory rate, plus packaging, shipping, transport, unloading, assembly and, if applicable, instruction costs. Sales prices of the dealers can deviate. No liability is accepted for printing errors, mistakes or incorrect presentation. Technical and optical changes are reserved. Illustration partly with optional accessories.