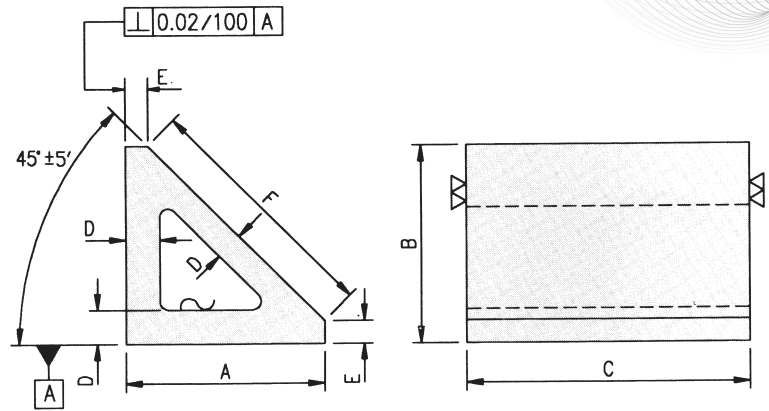


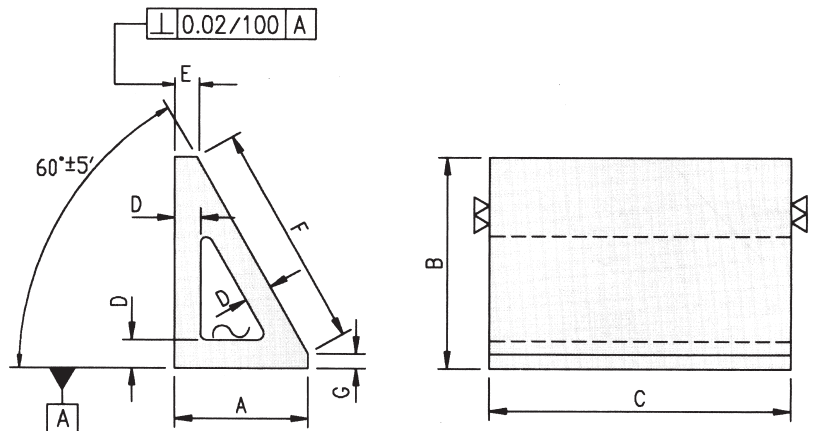
Angular Hollow Block 45°



Material: Cast Iron
FC-300
GG-30

ORDER NO.	A	B	C	D	E	F	kgs	CODE NO.
BC45-15	100	100	150	14	10	127	4.5	4007-030
BC45-30	100	100	300	14	10	127	8.8	4007-031
BC45-151	200	200	150	22	20	255	15.0	4007-032
BC45-301	200	200	300	22	20	255	29.0	4007-033

Angular Hollow Block 30°



Material: Cast Iron
FC-300
GG-30

ORDER NO.	A	B	C	D	E	F	G	kgs	CODE NO.
BC30-15	63	100	150	12	9	108	6	3.0	4007-040
BC30-30	63	100	300	12	9	108	6	6.0	4007-041
BC30-151	125	200	150	20	14	222	8	9.5	4007-042
BC30-301	125	200	300	20	14	222	8	19.0	4007-043