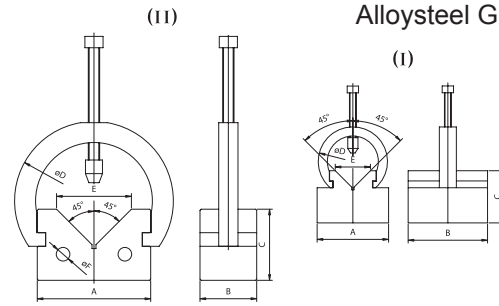
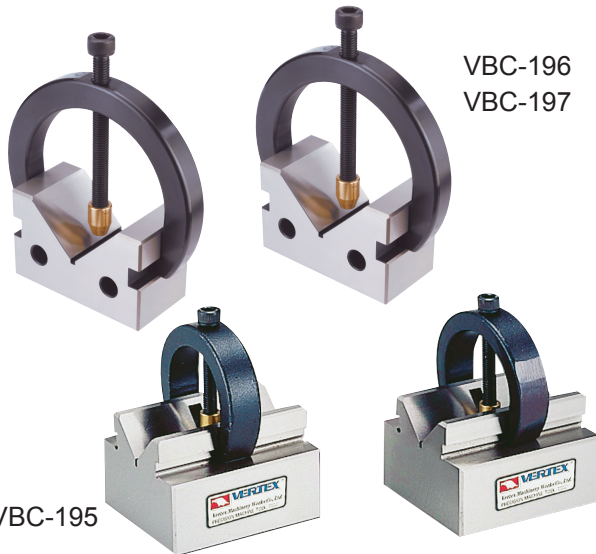




ORDER NO.	LxHxthick	ACCURACY	WEIGHT(kg)	CODE.NO.
FS-204	100x75x6mm	0.02mm	0.2	2006-055
FS-206	150x100x6mm		0.3	2006-056
FS-208	200x130x6mm		0.5	2006-057

V-Block With Clamp

Alloysteel Grounded HRC50

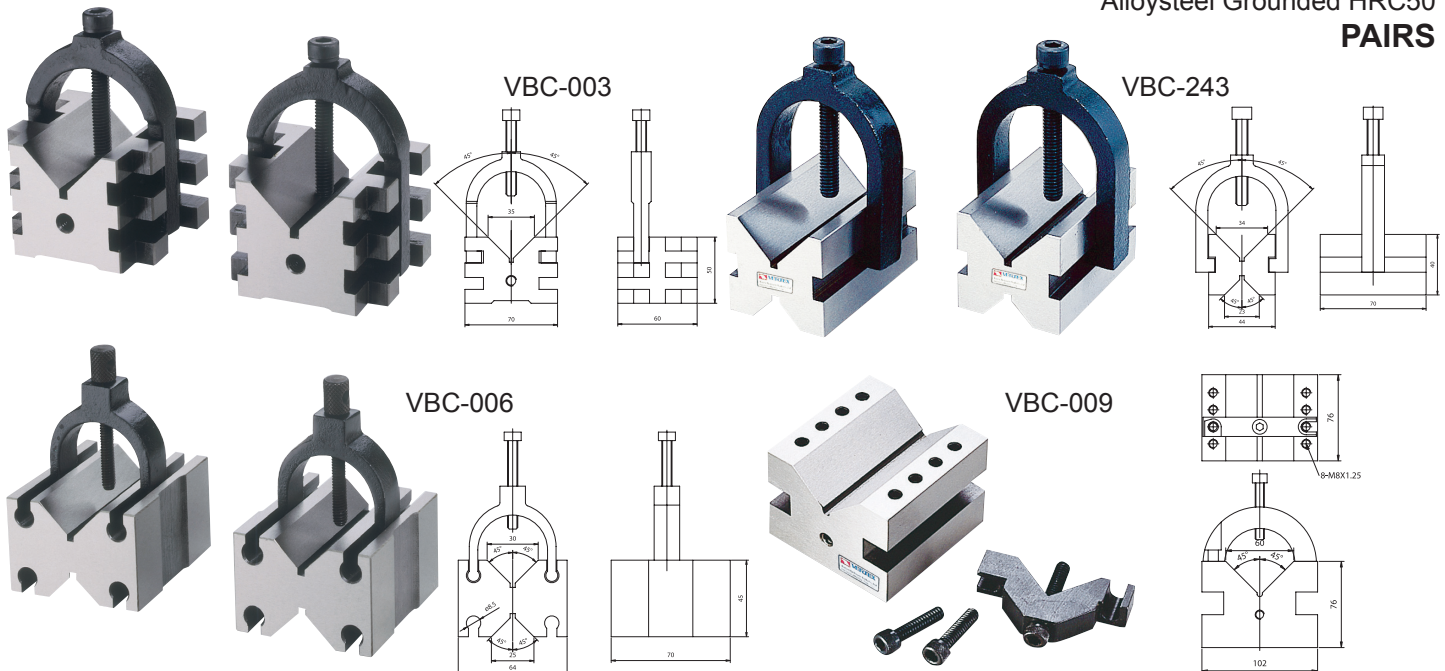


- Two V blocks and two clamps are include in the set.
- Made of hardened tool steel machined & ground in pairs close tolerances.
- A precision set for toolmakers & machinists.

ORDER NO.		A	B	C	D	E	F	N.W. (kgs)	CODE.NO.
VBC-195	I	63	70	46	61	31	X	3.1	2007-001
VBC-196	II	100	50	63	140	66	12	5.9	2007-002
VBC-197	III	150	64	100	193	110	12	14.7	2007-003

V-Block With Clamp

Alloysteel Grounded HRC50
PAIRS



ORDER NO.	W	H	L	W.OF SMALL VEE	W.OF LARGER VEE	PACKING	G.W. (kgs)	CODE NO.
VBC-003	2.36 60mm	1.86 50mm	2.75 70mm	-	50mm	110x80x110mm	2.4	2007-010
VBC-243	2 3/4 70mm	1 3/4 45mm	1 5/8 42mm	-	1"	75x80x100mm	1.9	2007-020
VBC-006	2 1/2 64mm	1 3/4 45mm	2 3/4 70mm	1	1 3/16"	110x80x110mm	2.6	2007-030
VBC-009	4 102mm	3 76mm	3 76mm	-	2 1/4"	70x50x110mm	3.9	2007-040