



VNC Axial Drive & Plain Jaw



VERTEX®

HYDRO

PATENT

Accessories For VNC Only

NEW

AXIAL DRIVE:

SAVE SPACE



- Better flexibility.
- Transfer to vertical drive.
- Extend functions.
- Compact design.
- Provide better escape while clamping.
- 90° horizontal to vertical drive.
- Light Weight & easy to install & take off.

INSTALL EXAMPLE

*Vise does not included



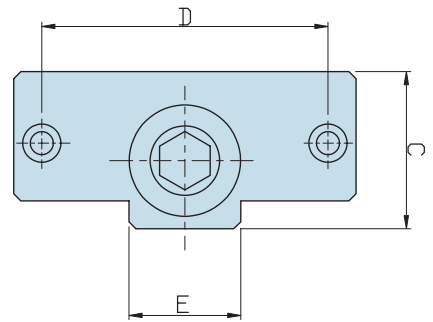
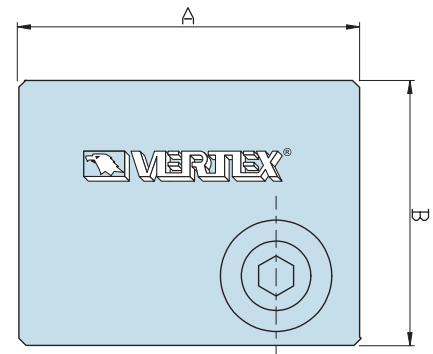
VNC-4AD



VNC-5AD



VNC-6AD



AXIAL DRIVE

ORDER NO.	A	B	C	D	E	G.W. (KG)	CODE NO.
VNC-4AD	98	76	45	82	32	1.57	4005-111
VNC-5AD	124	78	52	96	40	2.08	4005-112
VNC-6AD	158	90	61.5	126	46	2.97	4005-113

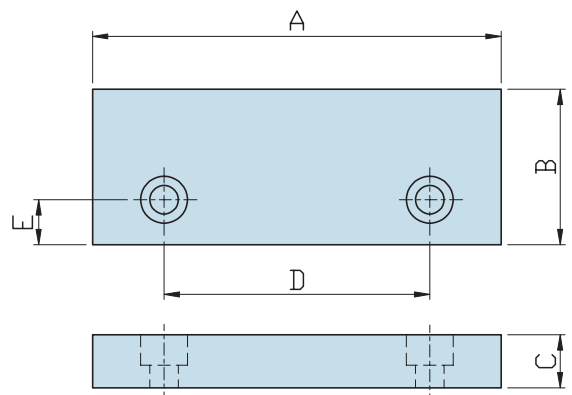
PLAIN JAW:

PLAIN JAW



INSTALL EXAMPLE

- Spare jaw (2 piece per set)
- Accurate Harded, Ground



ORDER NO.	A	B	C	D	E	G.W. (KG)	CODE NO.
VNC-4PJ	100	38	13	65	11	1.3	4005-121
VNC-5PJ	125	45	15	80	14	1.5	4005-122
VNC-6PJ	160	54	18	100	17	2.6	4005-123