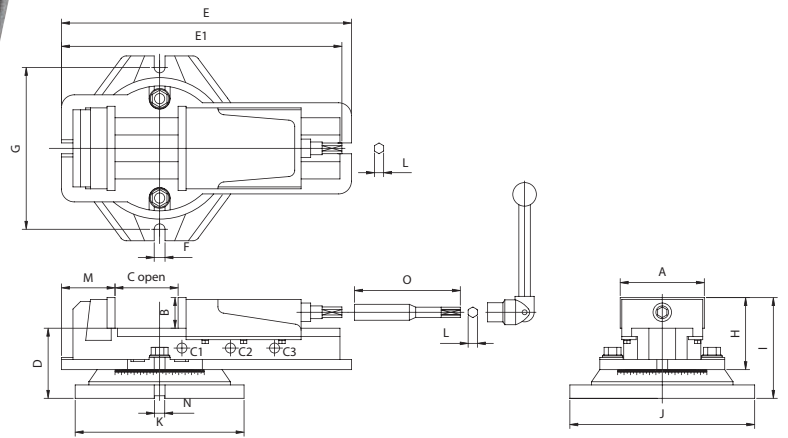


MECHANICAL TYPE



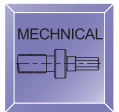
VJ-600



EXCEPT THE HYDRAULIC SYSTEM, THE FEATURE IS SAME AS VH-TYPE ACCURACY WITHIN 0.02mm

- VJ-400 JAW OPENED 185mm
- VJ-500 JAW OPENED 245mm
- VJ-600 JAW OPENED 305mm

● In order to ensure the accuracy when using it better that don't put swivel base together



Order No. & Dimensions

| ORDER NO. | A | B | C OPEN | Opening Size For Capacity | | | D | E | E1 | F | G | H | I | J | K | L | M | N | O | Max. Clamp Force (kgf) | G.W. (kgs) | CFT (cm) | CODE NO. |
|-----------|-----|----|--------|---------------------------|--------|---------|-----|-----|-----|----|-----|-----|-----|-----|-----|------|-----|----|-----|------------------------|------------|----------|----------|
| | | | | C1 | C2 | C3 | | | | | | | | | | | | | | | | | |
| VJ-400 | 110 | 38 | 185 | 0-65 | 52-129 | 116-185 | 97 | 386 | 516 | 15 | 240 | 96 | 135 | 270 | 238 | 14.5 | 90 | 16 | 156 | 1500 | 25 | 46x26x16 | 1002-050 |
| VJ-500 | 132 | 48 | 245 | 0-78 | 70-158 | 150-245 | 110 | 455 | 580 | 17 | 255 | 113 | 158 | 290 | 265 | 14.5 | 85 | 16 | 166 | 1500 | 34 | 48x28x18 | 1002-051 |
| VJ-600 | 154 | 56 | 305 | 0-111 | 97-211 | 197-305 | 118 | 546 | 722 | 17 | 255 | 131 | 175 | 290 | 265 | 19 | 111 | 16 | 200 | 1500 | 46 | 57x30x22 | 1002-052 |

2-Way Angle Milling Vise

TW PAT.

MECHANICAL TYPE



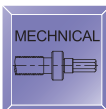
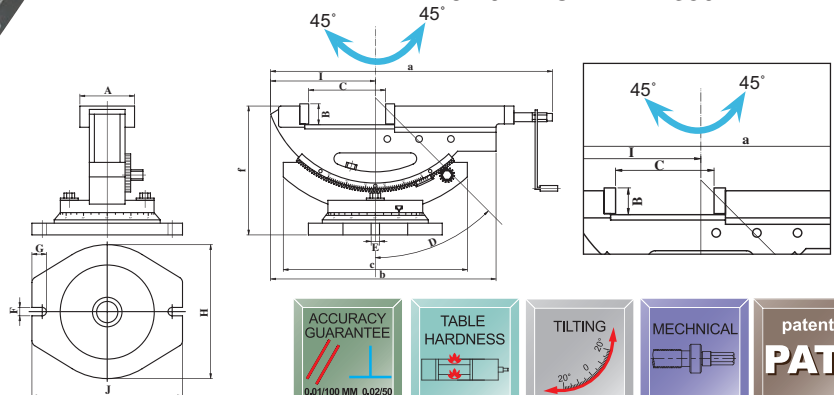
VWT-4B

VWT-6B

- Tilting seat set by two locking screws, works in high stability.
- Angle setting ranges from 0°~50°. Tilting degrees graduated for easy reading. Swivel base graduated to 360° and fixable in any position.



SUPER OPEN CAPACITY:
VWT-4B JAW OPENED 220mm
VWT-6B JAW OPENED 350mm



Order No. & Dimensions

| ORDER NO. | A | B | C OPEN | D | E | F | G | H | I | J | a | b | c | f | Max. Clamp Force (kgf) | G.W. (kgs) | Meas CFT | CODE NO. |
|-----------|-----|----|--------|-----|----|----|----|-----|-----|-----|-----|-----|-----|-----|------------------------|------------|----------|-----------|
| VWT-4B | 110 | 36 | 220 | 50° | 15 | 15 | 26 | 240 | 185 | 270 | 500 | 404 | 335 | 230 | 1200 | (C) 33.3 | 1.2 | 1002-060B |
| VWT-6B | 152 | 54 | 350 | 50° | 20 | 19 | 28 | 300 | 246 | 330 | 800 | 585 | 415 | 290 | 1600 | (W) 79.7 | 4.4 | 1002-061B |